



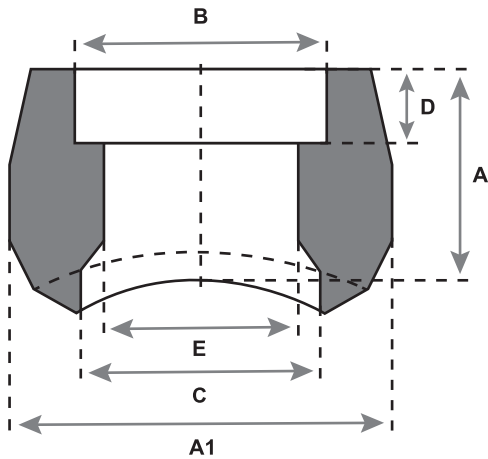
Republic Brass Sales, Inc.
 619.229.8304
 6566 Federal Blvd
 Lemon Grove, CA 91945
 www.republicbrasssales.com

OUTLET SOCKET WELD

Specification: MSS-SP-97
 Pressure Rating: 3000 PSI

AVAILABLE ALLOYS:
 (FERROUS) CARBON STEEL (A105) &
 STAINLESS STEEL (GRADES 304 / 316 / 321 / 347)

(NON-FERROUS) CUNI (90/10 & 70/30),
 NICU (MONEL), ALUMINUM AND BRONZE



CLASS 3000											
OUTLET SIZE	1/4	3/8	1/2	3/4	1	1 1/4	1 1/2	2	2 1/2	3	4
RBS P/N	SOLETX-040	SOLETX-060	SOLETX-100	SOLETX-150	SOLETX-200	SOLETX-250	SOLETX-300	SOLETX-400	SOLETX-450	SOLETX-500	SOLETX-600
A	0.750	0.813	1.000	1.063	1.313	1.313	1.375	1.500	1.813	2.000	2.250
A1	1.000	1.250	1.375	1.750	2.125	2.563	2.875	3.500	4.063	4.813	6.000
B	0.540 MIN - 0.543 MAX	0.675 MIN - 0.678 MAX	0.840 MIN - 0.843 MAX	1.050 MIN - 1.053 MAX	1.315 MIN - 1.318 MAX	1.660 MIN - 1.663 MAX	1.900 MIN - 1.905 MAX	2.375 MIN - 2.380 MAX	2.875 MIN - 2.882 MAX	3.500 MIN - 3.507 MAX	4.500 MIN - 4.507 MAX
C	0.625	0.750	0.938	1.188	1.438	1.750	2.000	2.563	3.000	3.688	4.750
D	0.375 (MIN.)	0.375 (MIN.)	0.375 (MIN.)	0.500 (MIN.)	0.500 (MIN.)	0.500 (MIN.)	0.500 (MIN.)	0.625 (MIN.)	0.625 (MIN.)	0.625 (MIN.)	0.75 (MIN.)
E	0.379 MIN - 0.410 MAX	0.514 MIN - 0.545 MAX	0.679 MIN - 0.710 MAX	0.889 MIN - 0.920 MAX	1.154 MIN - 1.185 MAX	1.485 MIN - 1.516 MAX	1.725 MIN - 1.756 MAX	2.178 MIN - 2.209 MAX	2.678 MIN - 2.709 MAX	3.279 MIN - 3.310 MAX	4.251 MIN - 4.282 MAX

NOTES: For P/N's replace X with the following codes:

Stainless Steel 304 - **304** Carbon Steel - **CS** Bronze - **B**
 Stainless Steel 316 - **316** Cuni 90/10 - **9** Nicu (Monel) - **M**
 Stainless Steel 321 - **321** Cuni 70/30 - **7** Aluminum - **A**
 Stainless Steel 347 - **347**

