

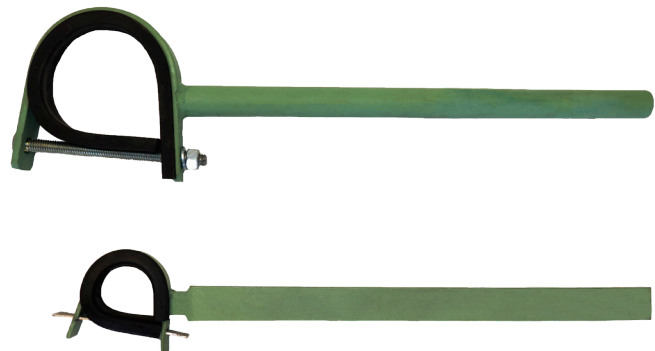
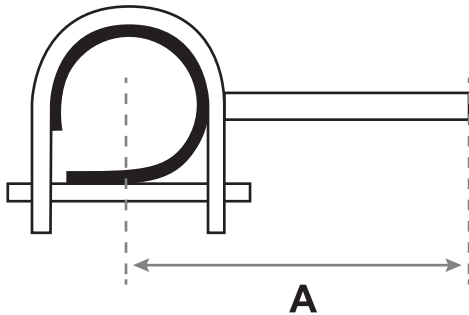


Republic Brass Sales, Inc.
 619.229.8304
 6566 Federal Blvd
 Lemon Grove, CA 91945
 www.republicbrasssales.com

PIPE HANGER

NELSON STYLE

Neoprene Liner IAW ASTM D-2000-75E Shore A 60



| NOMINAL PIPE SIZE | RBS P/N | A |
|-------------------|------------|--------|
| 1/4" | HANGXN-040 | 18 MAX |
| 3/8" | HANGXN-060 | 18 MAX |
| 1/2" | HANGXN-100 | 18 MAX |
| 3/4" | HANGXN-150 | 18 MAX |
| 1" | HANGXN-200 | 18 MAX |
| 1 1/4" | HANGXN-250 | 18 MAX |
| 1 1/2" | HANGXN-300 | 18 MAX |
| 2" | HANGXN-400 | 18 MAX |

NOTES: For P/N replace X for **CS** for A-36 Steel, **A** for 6061 Aluminum, **SS** for Stainless Steel.

1/4" and 3/8" NPS Hangers have 1/8" liners; all other sizes have 1/4" liners.

